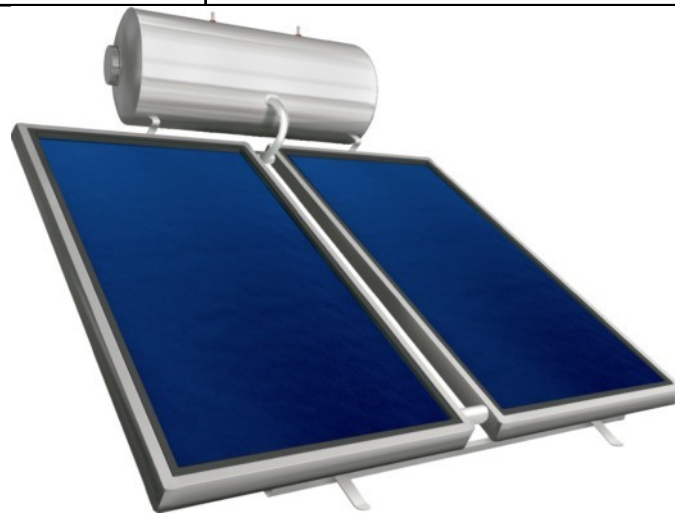


GL Solar Collector's Technical Specifications

Attribute	Description
Profile	aluminum Al Mg Si 0,5, with treatment of electrostatic oven painting Seaside Class.
Absorber	titanium selective, laser welded.
Absorption coefficient	of the selective surface: $\alpha = 0,95$
Copper pipe headers	$\varnothing = 22 \text{ mm}$
Copper pipe risers	8mm thick
Glass cover	low iron prismatic tempered 3,2 mm thick
Transmissivity (low iron oxides)	$\tau > 0,93$
Rear insulation	rock-wall 30 mm thick with $\lambda = 0.035 \text{ W/m grd}$ (on 0°C)
Sealing materials	P.U. mastic, black silicone and EPDM rubber Limitations
Stagnation temperature	146 °C (selective) Maximum operational temperature
Maximum proposed working pressure	10 bars /1000kpa



SOLAR KEYMARK

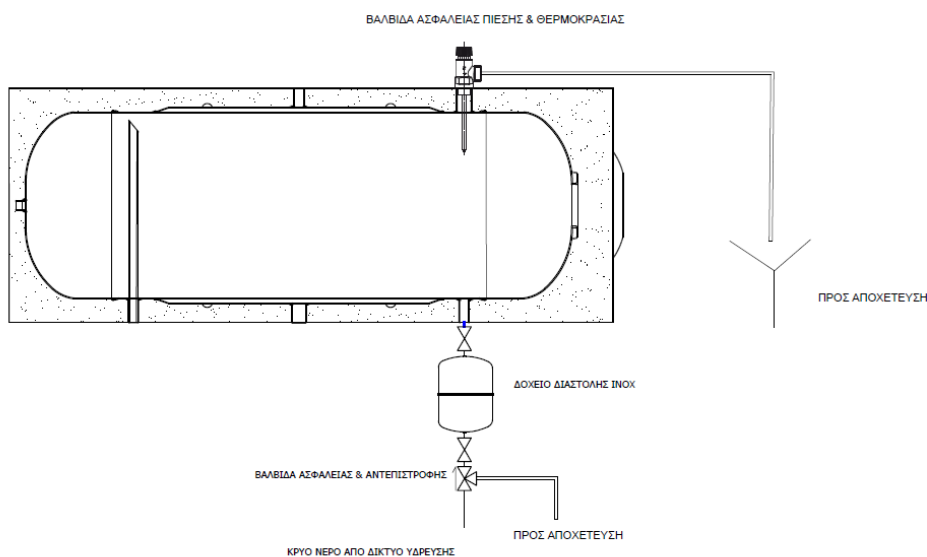
CE

GL Solar Collector's Technical Characteristics

COLLECTOR'S TYPE	POSITIONING	DIMMENSIONS LxHxW mm	TOTAL SURFACE m2	GLASS SURFACE m2	VOLUME liters	WEIGHT kg
EPI 25 KL	VERTICAL	1017 x 2017 x 90	1,768	1,768	1,43	37,50
EPI 16 KL	VERTICAL	1197 x 1917 x 90	2,30	1,995	1,60	41,00
EPI 56 KL	VERTICAL	1517 x 2017 x 90	3,06	2,63	1,98	58,00

GL Solar Water Heater Tank Technical Specifications

TYPE		150	170	200	300
Diameter	mm	500	580	580	580
Length	mm	1300	1200	1320	1820
Weight (empty)	kg	64	64	70	110
Volume exchanger (jacket)	L	11.2	11.9	12.1	23
Tank's Volume	L	140	160	189	295
Total tank's volume	L	151.2	171.9	201.1	318



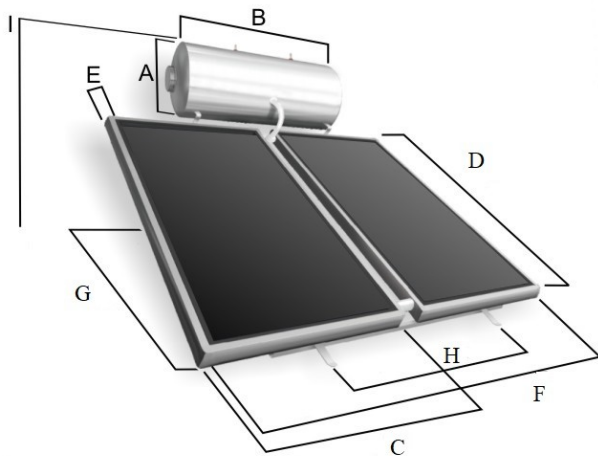
Bracket limitations

Attribute	Description
Maximum snow load	56kg/m ²
Maximum wind load	1.04kN/m ²

CE



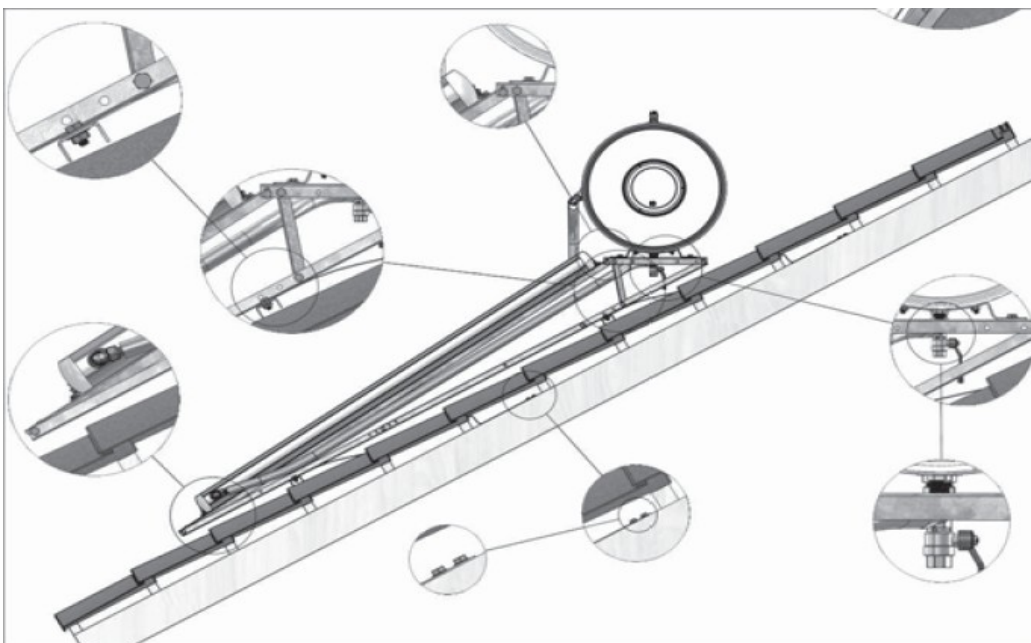
GL SOLAR THERMOSIPHON'S DIMENSIONS



GL

TYPE	NUMBER OF PANELS x COLLECTOR'S SURFACE m ²	SOLAR PANEL'S SURFACE m ²	TANK'S DIMENSIONS mm		SOLAR COLLECTOR'S DIMENSIONS mm							WEIGHT kg
			A	B	C	D	E	F	G	H	I	
GL 150/2,30 V	1 X 2,30	2,30	500	1280	1197	1917	90	1197	1830	1080	2000	121,00
GL 170/2,58 V	1 X 2,58	2,58	500	1210	1277	2017	90	1277	1955	1080	2000	128,00
GL 200/3,06 V	2 X 1,55	3,06	500	1280	1017	1517	90	2184	1555	1080	1830	140,00
GL 200/4,10 V	2 X 2,05	4,10	580	1280	1017	2017	90	2184	1865	1080	2080	144,00
GL 300/4,10 V	2 X 2,05	4,10	580	1930	1017	2017	90	2184	1865	1080	2080	164,00

TILED ROOF METAL BASE



One base , two uses. Same base for ground or for tiled roof installation and you minimize the base's stock in your ware house.



Factory : Drey St. – Pili Dervenochorion, 32009 Greece
 Offices : 12 Areopoleos St., 14564 Attiki, Greece, Tel. +30 2103479414
 Email : info@cosmosolar.com - Website: www.cosmosolar.com

GL FOCUS IN INSTALLATIONS FLEXIBILITY & STOCKINESS



Factory : Drey St. – Pili Dervenochorion, 32009 Greece
Offices : 12 Areopoleos St., 14564 Attiki, Greece, Tel. +30 2103479414
Email : info@cosmosolar.com - Website: www.cosmosolar.com



TYPE	TYPE OF SOLAR COLLECTORS	NUMBER OF PANELS x COLLECTOR'S SURFACE m ²	SOLAR PANEL'S SURFACE m ²
GL 150/2,30 V	EPI 16 KL	1 X 2,30	2,30
GL 170/2,58 V	EPI 54 KL	1 X 2,58	2,58
GL 200/3,06 V	EPI 56 KL	1 X 3,06	3,06
GL 200/4,10 V	EPI 25 KL	2 X 2,05	4,10
GL 300/4,10 V	EPI 25 KL	2 X 2,05	4,10



Factory : Drey St. – Pili Dervenochorion, 32009 Greece
 Offices : 12 Areopoleos St., 14564 Attiki, Greece, Tel. +30 2103479414
 Email : info@cosmosolar.com - Website: www.cosmosolar.com