

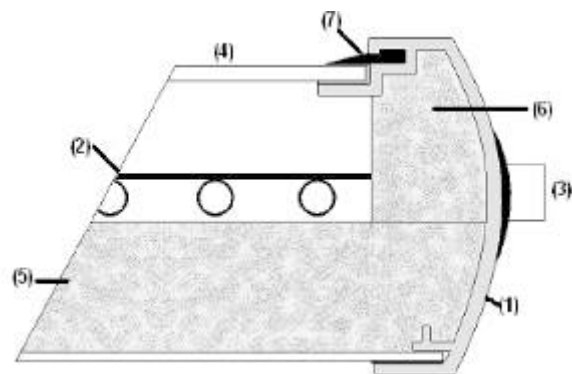
TECHNICAL SPECIFICATIONS OF GLB SOLAR THERMOSIPHON



Solar Collector's Technical Specifications

Attribute	Description
Profile	aluminum Al Mg Si 0,5, with treatment of electrostatic oven painting Seaside Class.
Absorber	titanium selective, laser welded.
Absorption coefficient	of the selective surface: $\alpha = 0,95$
Copper pipe headers	$\varnothing = 22 \text{ mm}$
Copper pipe risers	8mm thick
Glass cover	low iron prismatic tempered 3,2 mm thick
Transmissivity	$\tau = 0,93$
Rear insulation	rock-wall 30 mm thick with $\lambda = 0.035 \text{ W/m grd}$ (on 0°C)
Sealing materials	P.U. mastic, black silicone and EPDM rubber Limitations
Stagnation temperature	146 $^\circ\text{C}$ (selective) Maximum operational temperature
Maximum proposed working pressure	10 bars /1000kpa

1. Aluminum frame
2. Solar selective surface with copper tubes
3. Supports
4. Unbreakable glass
5. Isolation
6. Isolation
7. Black silicon

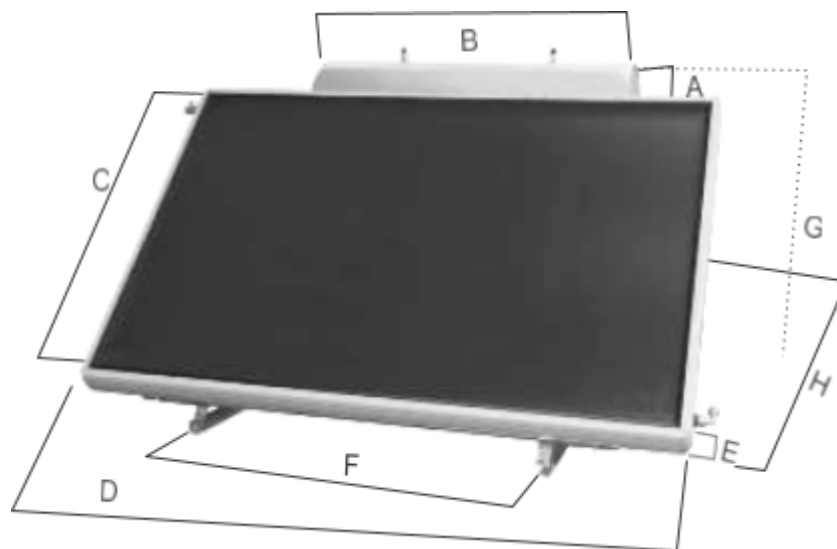


GLB Solar Water Heater Tank Technical Specifications

Attribute	Description
Interior	low carbon steel 2.5 mm thick, double enameled at 860 °C (DIN 4753/T3) double coating of 1.5 micro.
Heat exchanger	jacket (mantel) type of the above material, 1,5 mm thick, with wide exchange surface. The mantel surrounds the inner tank offering a better distribution of the thermal fluid and thus a better exchange.
Heat exchanger outlets	bronze F ¾"
Cylinder's outlets	bronze M ½ "
Safety valves outlet	bronze F ½"
Patented diffusers	ENERGON®: one in the inlet of the jacket (mantel) forcing the thermal fluid coming from the collectors to be distributed in the mantel, another one in the cold water inlet of the inner tank, distributing the water coming from the water supply of the house throughout the tank, offering this way a better stratification. Practically, we have a slow reduction of the temperature of the water when used.
Insulation	expanded P.U. (52 kgr/m ³) 50 mm thick, CFC free.
P.U. thermal conductivity	0,0180 W/mK
Outer cover	aluminum, oven painting treatment, Seaside Class, for extra protection.
Side covers	aluminum, oven painting treatment, Seaside Class.
Protection against electrolysis (cathodic protection)	replaceable magnesium rod Ø 22 mm, L = 500 mm.
Inspection flange / Electrical heating element	Ø 140mm

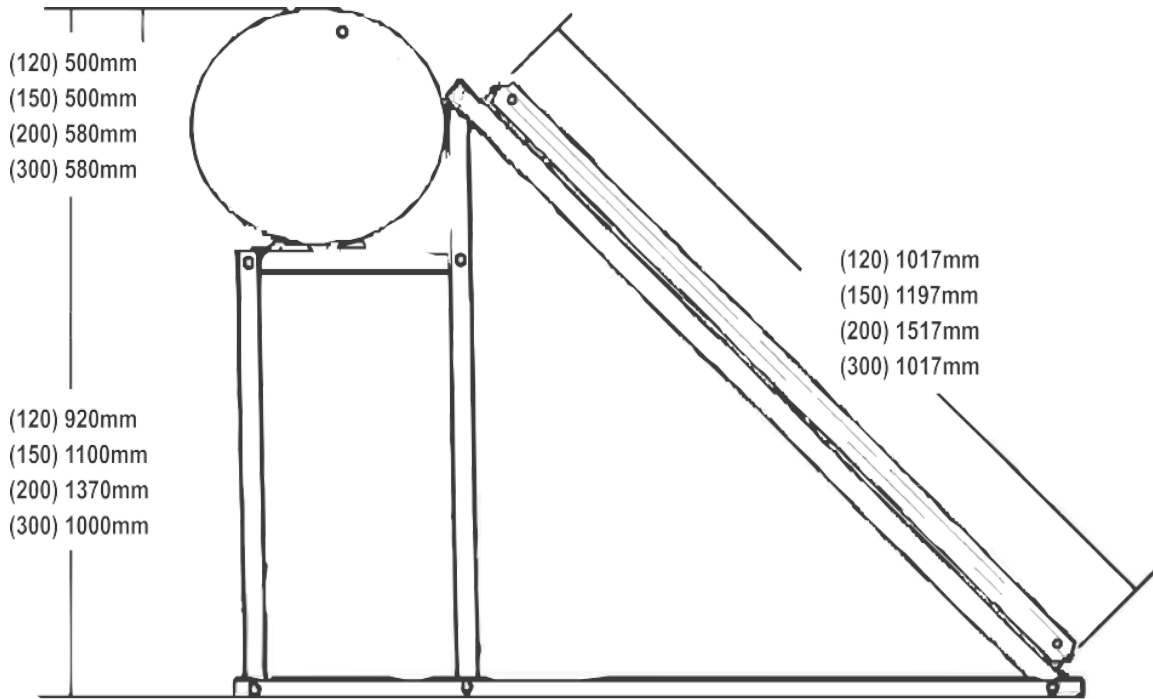
GLB TECHNICAL CHARACTERISTICS

SOLAR PANEL TYPE	SOLAR SURFACE	TOTAL SURFACE	SOLAR PANEL DIMENSIONS L/H/W	SOLAR COLLECTOR VOLUME	WEIGHT	D	C	E
		m ²	mm	Liters	kg	mm	mm	mm
EPI 25	1,768	2,05	2017/1017/90	1,43	37,50	2017	1071	90
EPI 16	1,995	3,30	1917/1197/90	1,60	41,00	1917	1197	90
EPI 57	2,630	3,06	2017/1517/90	1,98	58,00	2017	1517	90



TECHNICAL CHARACTERISTICS OF GLB ENAMELED WATER HEATER TANKS

WATER HEATER TANK TYPE	DIMENSIONS DIAMETER/LENGTH (B)	G	ENERGY LABEL	TANK'S VOLUME	JACKET'S VOLUME	TOTAL VOLUME	WEIGHT
	mm	mm		Liters	Liters	Liters	kg
120	500/1120	920	B	115	8,25	123,25	53
150	500/1280	920	B	140	11,20	151,20	64
200	580/1280	1100	B	189	12,10	201,10	70
300	580/1930	1370	C	295	23	318	110



GALVANIZED STEEL BASES

