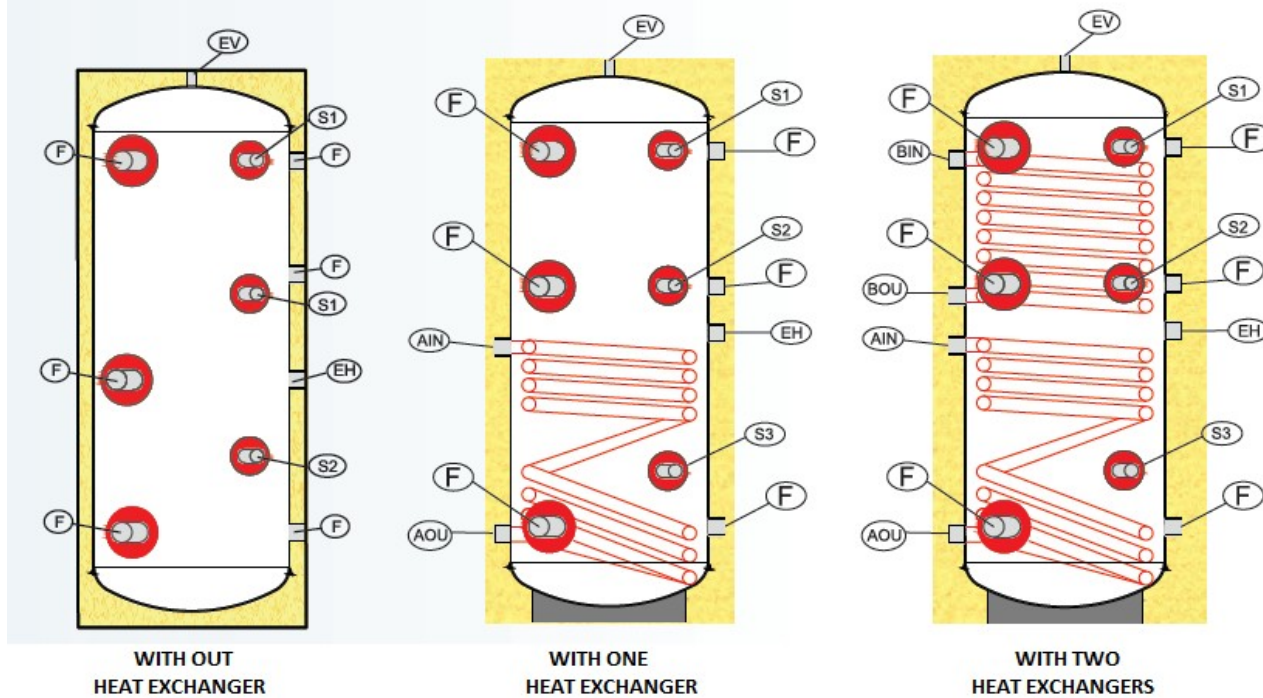


TECHNICAL SPESIFICATIONS

COSMOSOLAR Ltd manufactures buffers specifically for heat pumps in 3 types.

- Without heat exchanger
- With one coil heat exchanger
- With two coils heat exchangers



The strong insulation in all parts of the BUFFERS (including the bottom of it) in combination with the quality of construction make the COSMOSOLAR buffers an excellent choice for your needs.

The electrostatic painted outer aluminum casing of the buffers, allows them to be placed outdoors making it easier for you to save space.

- Steel made tank
- Aluminum out cover with electrostatic painted
- Maximum working pressure 4 bars
- Maximum working temperature 95 o C
- Isolation of injected polyurethane , 50 mm thick, 52 kg/m3 for the buffers of 60 – 300 liters and 25 mm for the 40 liters buffer.

As options the COSMOSOLAR buffers are offered ENAMELLED or/and with electric heating element of one or three phases current.

ECO 40

40 Litters buffer for HEAT PUMPS

Vertical type



BUFFERS FROM 40 – 300 Litters

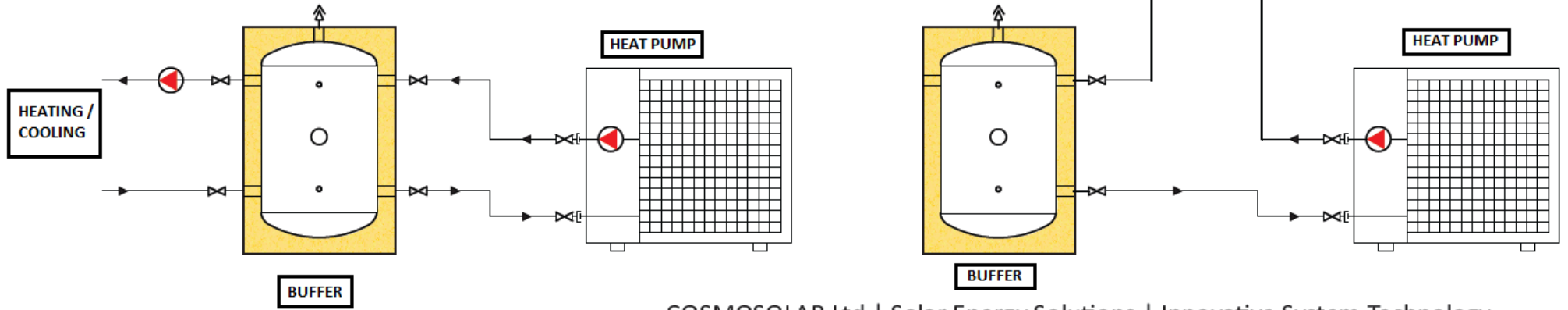
Out side placement



TECHNICAL CHARACTERISTICS

DESCRIPTION		COS 40 ECO	COS 40	COS 60	COS 80	COS 110	COS 150	COS 200	COS 300
Energy class		-	C	C	C	C	C	C	C
Inner diameter	mm	330	400	400	400	400	430	480	480
Out diameter	mm	390	500	500	500	500	530	580	580
Height	mm	535	500	665	835	1100	1350	1350	1890
Steel thickness	mm	2	2,5	2,5	2,5	2,5	2,5	2,5	2,5
Max. working temperature	°C	95							
Max/ working pressure	bar	3	4	4	4	4	4	4	4
Max. coils pressure	bar	16							
Isolation type		Injected							
Isolation thickness	mm	30	50	50	50	50	50	50	50
Max. coils working temperature	°C	130							
Surface boiler's coil (B)		-	-	-	-	-	0,55	0,80	1,00
Surface solar's coil (A)		-	-	-	-	0,55	0,80	1,00	1,55
Coil's volume B	L	-	-	-	-	-	3,10	5,10	6,40
Coil's volume A	L	-	-	-	-	3,10	5,10	6,40	10,00
Connection points B (IN&OUT)	Inch	-	-	-	-	-	1''	1''	1''
Connection points A (IN&OUT)	Inch	-	-	-	-	1''	1''	1''	1''
Coil's B characteristics	Kw	-	-	-	-	-	10,40	13,60	16,40
	Lt/h	-	-	-	-	-	900	900	900
Coil's A characteristics	Kw	-	-	-	-	10,40	13,10	14,40	22,90
	Lt/h	-	-	-	-	900	900	900	900
Available connection points F		4	4	4	4	4	6	6	6
Diameter F	Inch.	1 ½''							
Electric heating element point		YES							
Relief valve point EV		NO	YES	YES	YES	YES	YES	YES	YES
Relief valve connection point EV	Inch.	-	½''	½''	½''	½''	½''	½''	½''
Sensor's point S1	Inch.	-	-	-	½''	½''	½''	½''	½''
Sensor's point S2	Inch.	-	-	-	-	½''	½''	½''	½''
Sensor's point S3	Inch.	-	-	-	-	-	½''	½''	½''

DIFFERENT INSTALLATION'S WAYS, HEATING / COOLING WITH FAN COILS



COSMOSOLAR Ltd | Solar Energy Solutions | Innovative System Technology

