

EPI SK SOLAR COLLECTOR

SOLID ALUMINUM CASING

MINIMUM HEAT LOSS

COSMOSOLAR Ltd in EPI SK solar collectors series use a solid, one pc aluminum casing which offers solidity for the panel.

In this way a solid construction is created which increase the durability when it and reduces the heat losses.

Particular attention was paid to the design and construction of a reinforced base made of galvanized steel, high resistance to particularly harsh atmospheric conditions.

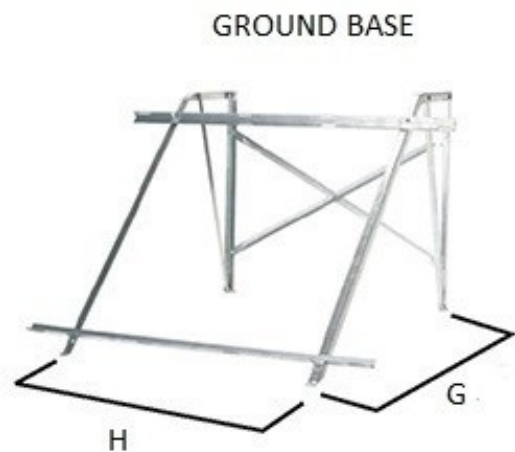
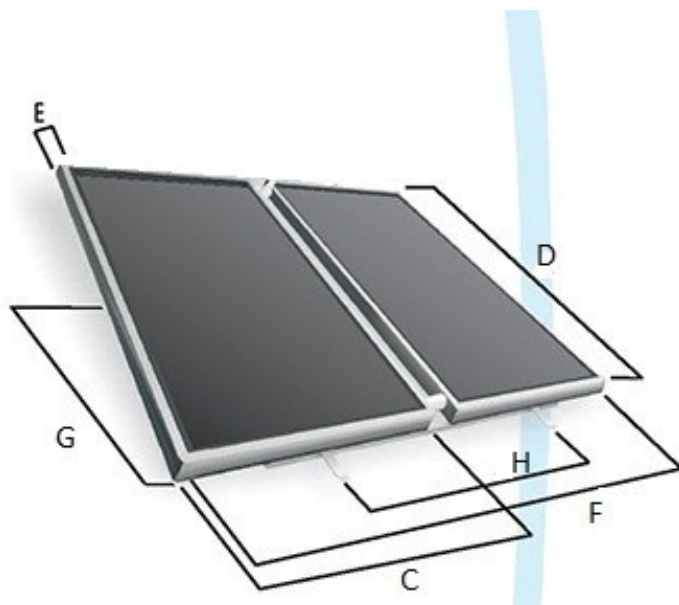


Some of the special features of EPI SK solar collector :

- Selective titanium absorber with special vacuum coating of high absorbency > 95%
- Use of laser technology for the construction of the selective absorbent surface of the solar panel
- Unbreakable safety glass in the solar panel
- Solid metal support base made of galvanized steel.

MODELS

MODEL	TOTAL SURFAC E	C	D	E	F	G	H
EPI SK 2,10	2,09	1020	2045	90	1020	1865	860
EPI SK 2,60	2,56	1250	2045	90	1250	1865	1080
EPI SK 3,20	3,16	1020	1545	90	2140	1865	1080
EPI SK 4,20	4,18	1020	2045	90	2140	1865	1080



You can find more information about the solar collector EPI SK, as well as, complete technical data in TECHNICAL



Solar collector EPI SK, like all COSMOSOLAR products are fully recyclable and environmentally friendly, contributing to the protection of the environment.