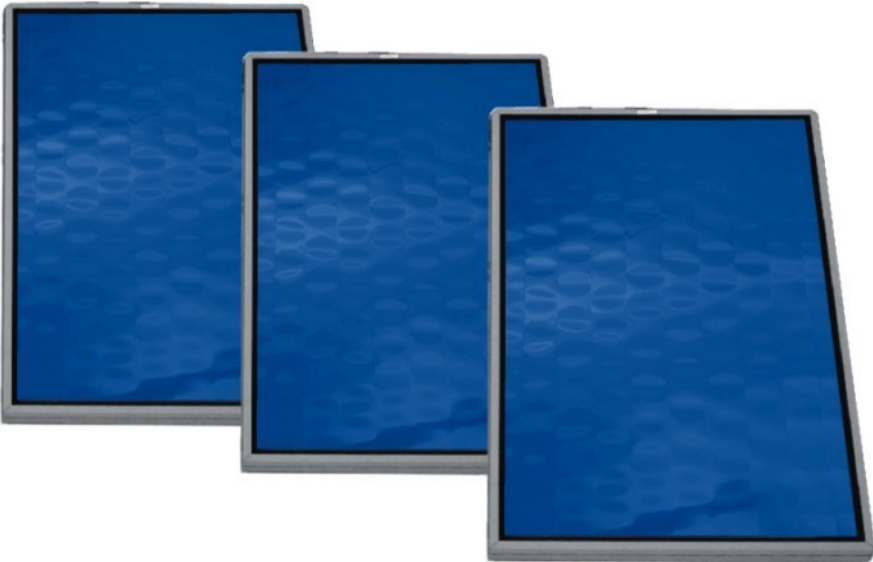


EPI KL Solar Collectors



EPI KL Solar Collector's Technical Specifications

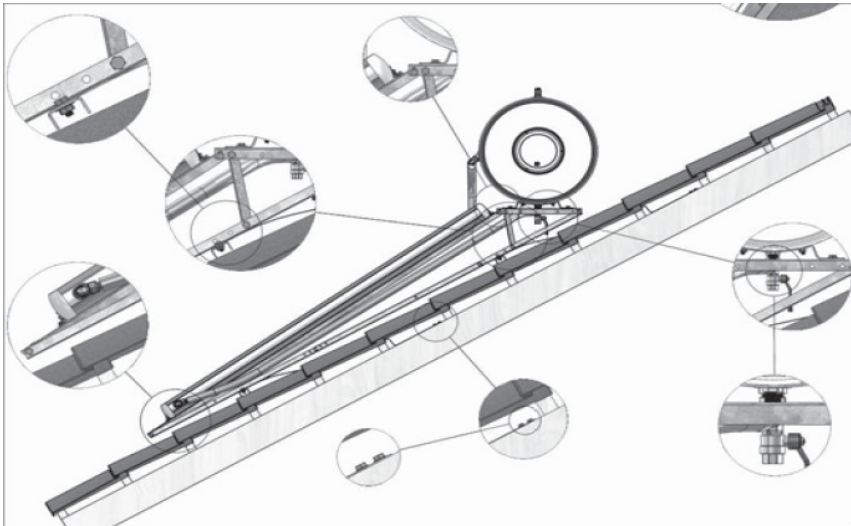
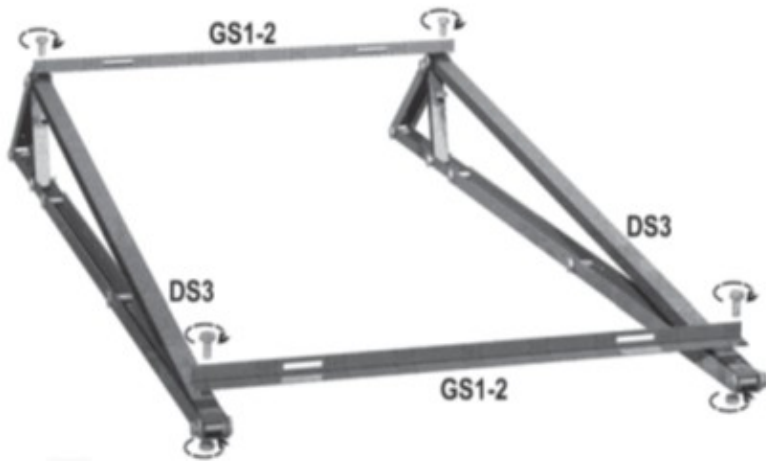
Attribute	Description
Profile	aluminum Al Mg Si 0,5, with treatment of electrostatic oven painting Seaside Class.
Absorber	titanium selective, laser welded.
Absorption coefficient	of the selective surface: $\alpha = 0,95$
Copper pipe headers	$\varnothing = 22 \text{ mm}$
Copper pipe risers	8mm thick
Glass cover	low iron prismatic tempered 3,2 mm thick
Transmissivity (low iron oxides)	$\tau > 0,93$
Rear insulation	rock-wall 30 mm thick with $\lambda = 0.035 \text{ W/m grd}$ (on 0°C)
Sealing materials	P.U. mastic, black silicone and EPDM rubber Limitations
Stagnation temperature	146 °C (selective) Maximum operational temperature
Maximum proposed working pressure	10 bars /1000kpa

SOLAR PANEL TYPE	POSITIONING	DIMMENSIONS L/H/W (mm)	SOLAR PANEL SURFACE (m ²)	COLLECTOR'S CAPACITY (L)	WEIGHT (kg)
EPI 20 KL	VERTICAL	1017/1517/90	1,55 m ²	1,05	27,00
EPI 30 KL	VERTICAL	1317/1517/90	1,95 m ²	1,32	34,50
EPI 25 KL	VERTICAL	1017/2017/90	2,05 m ²	1,43	37,50
EPI 16 KL	VERTICAL	1197/1917/90	2,30 m ²	1,60	41,00
EPI 54 KL	VERTICAL	1277/2017/90	2,58 m ²	1,70	47,00
EPI 56 KL	VERTICAL	1517/2017/90	3,06 m ²	1,98	58,00
EPI 25 OKL	HORIZONTAL	2017/1017/90	2,05 m ²	1,43	37,50
EPI 16 OKL	HORIZONTAL	2017/1277/90	2,58 m ²	1,60	41,00
EPI 54 OKL	HORIZONTAL	2017/1517/90	3,06 m ²	1,70	47,00

Bracket limitations

Attribute	Description
Maximum snow load	56kg/m ²
Maximum wind load	1.04kN/m ²

TILED ROOF METAL BASE



One base , two uses. Same base for ground or for tiled roof installation and you minimize the base's stock in your ware house.

KL FOCUS IN INSTALLATIONS FLEXIBILITY & STOCKINESS

